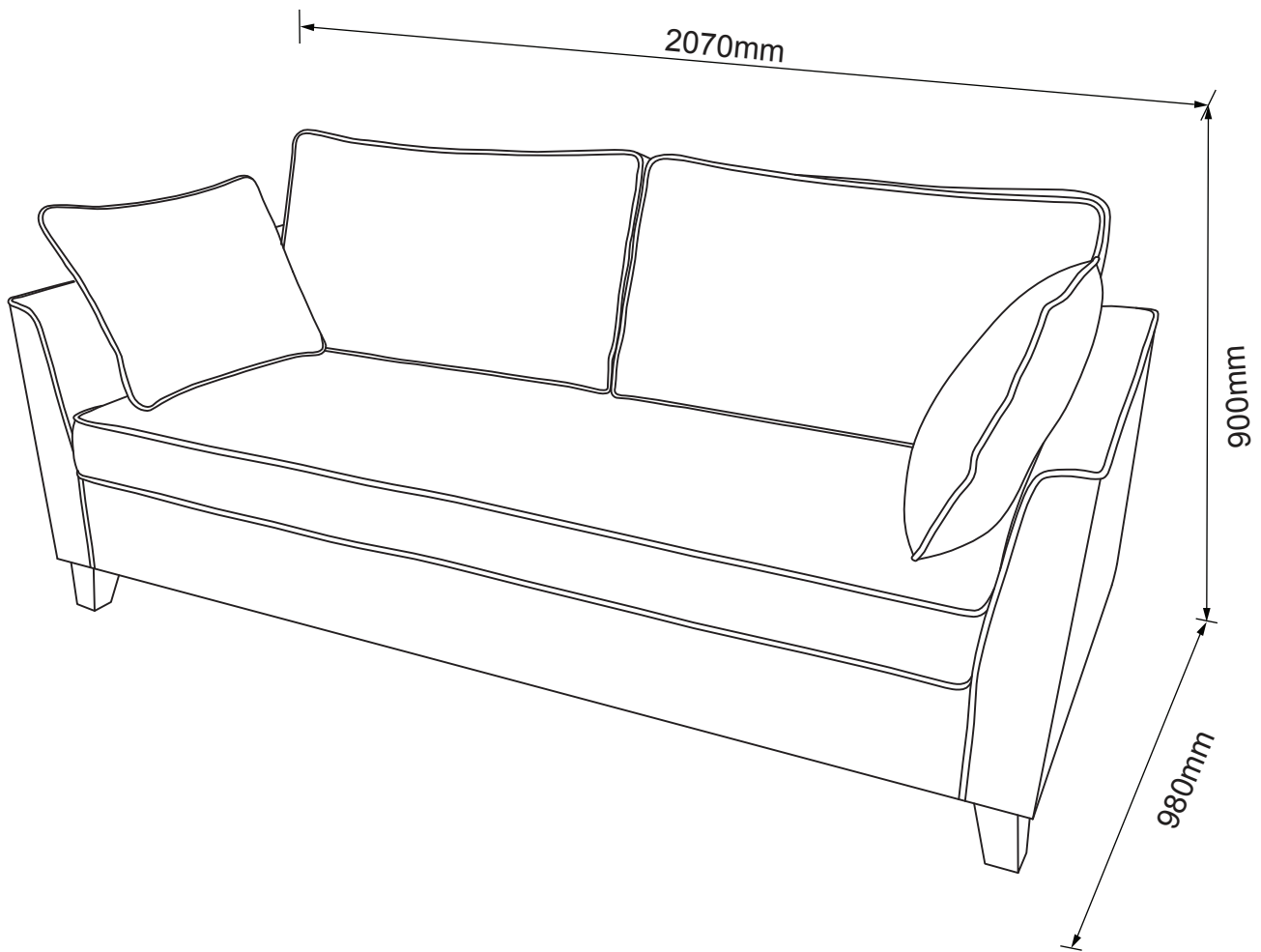
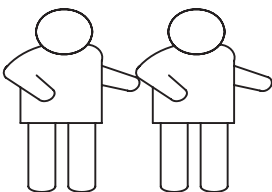


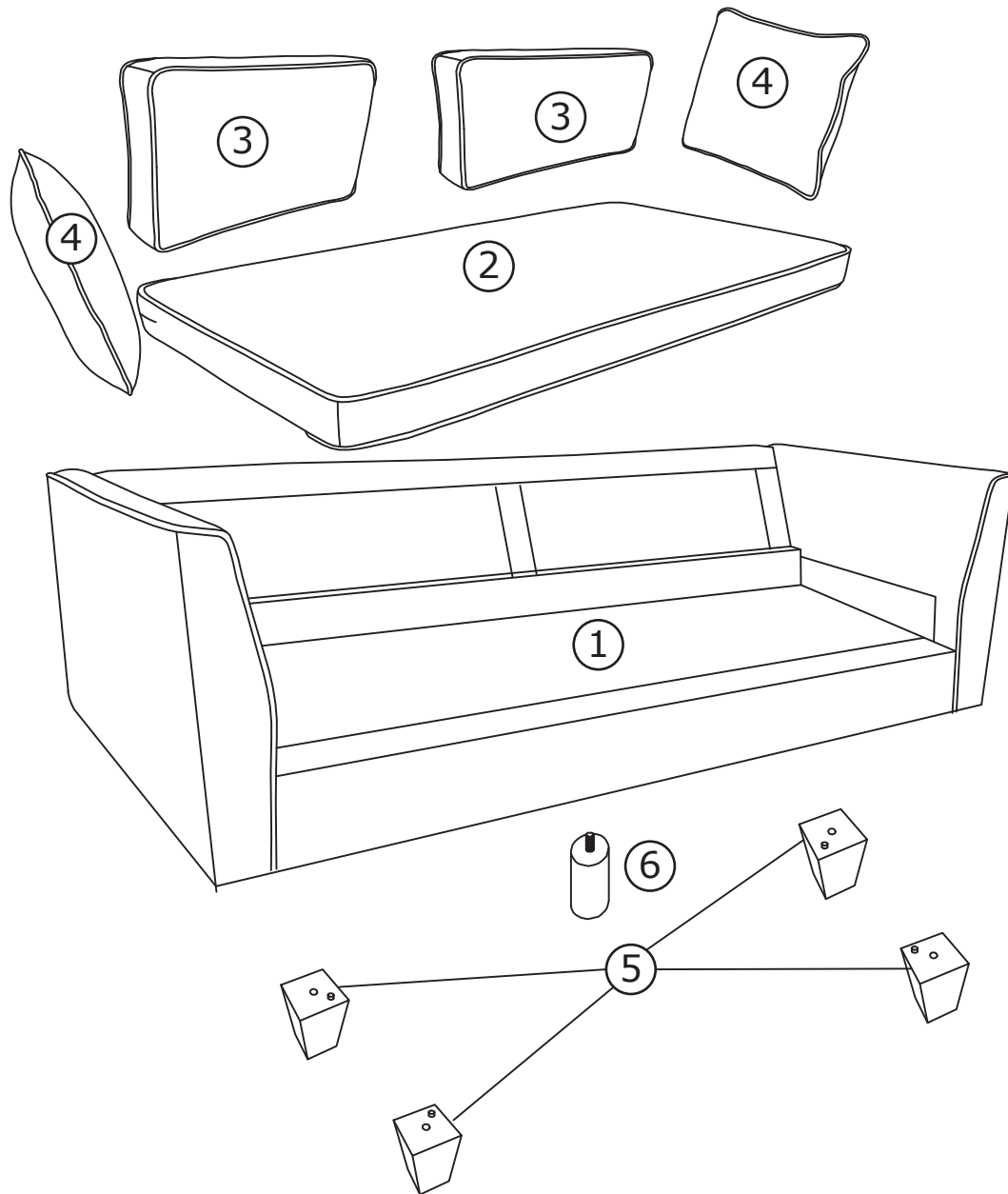
# Assembly Instruction

## EVORA 3S SOFA



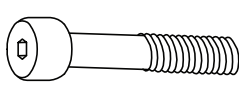
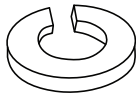

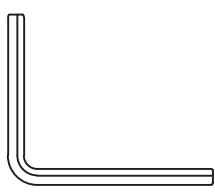
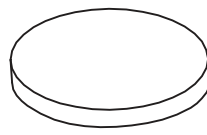
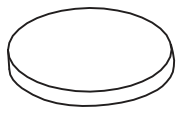
2 Person Required



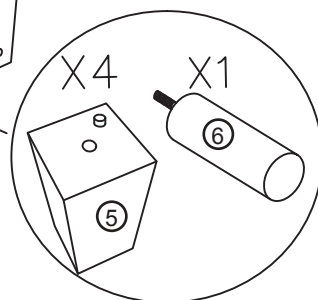
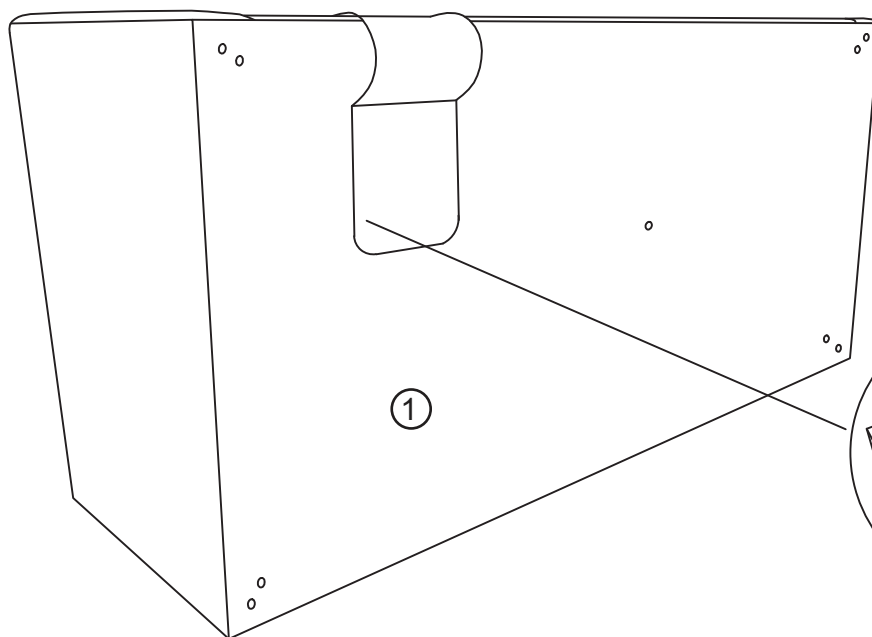


# CHECKLIST

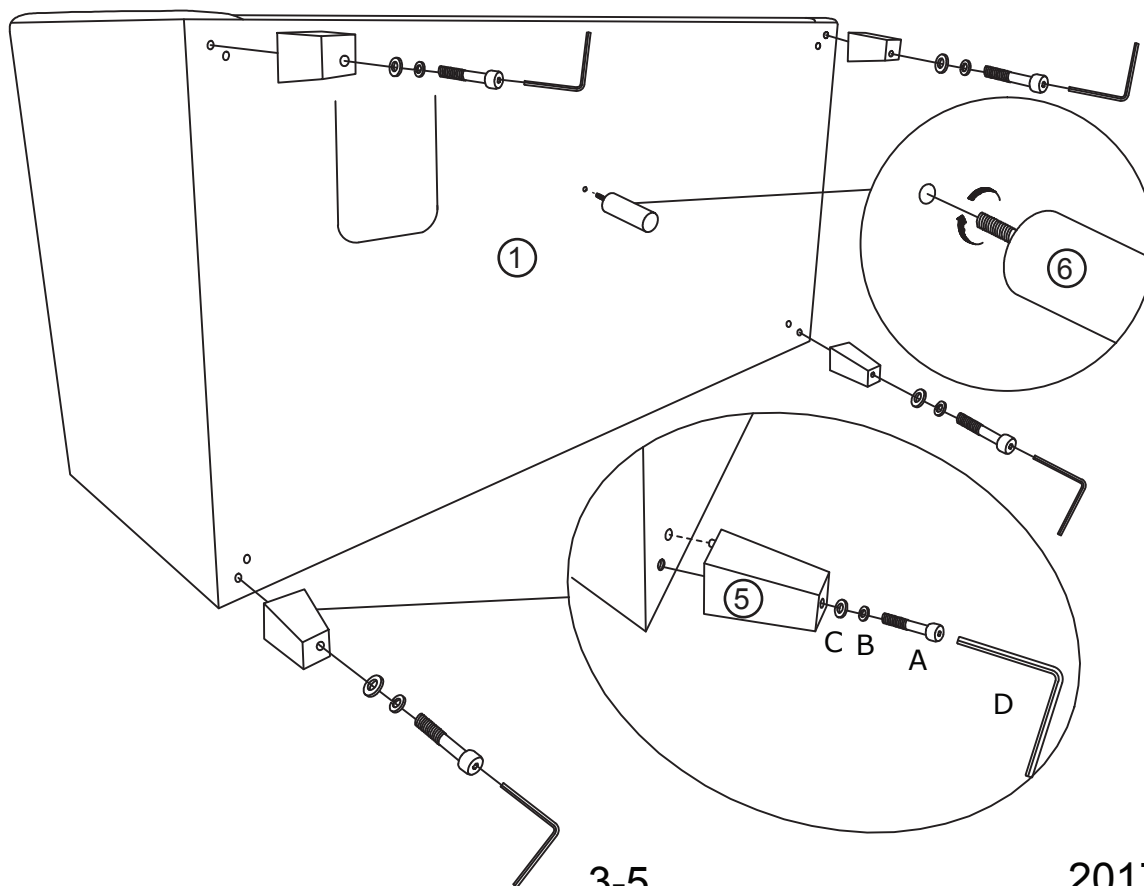
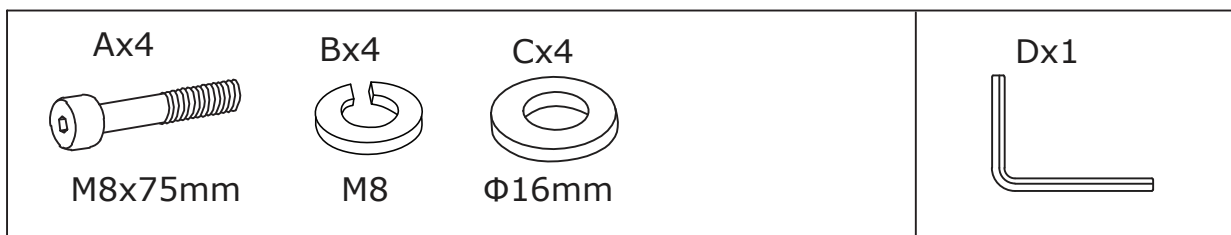


<p>Ax4 <input type="checkbox"/></p>  <p>M8x75mm</p>	<p>Bx4 <input type="checkbox"/></p>  <p>M8</p>	<p>Cx4 <input type="checkbox"/></p>  <p>Φ16mm</p>	<p>Dx1 <input type="checkbox"/></p> 
<p>Ex4</p>  <p>Φ38x2mm</p>	<p>Fx1</p>  <p>Φ28x3mm</p>		



# 1

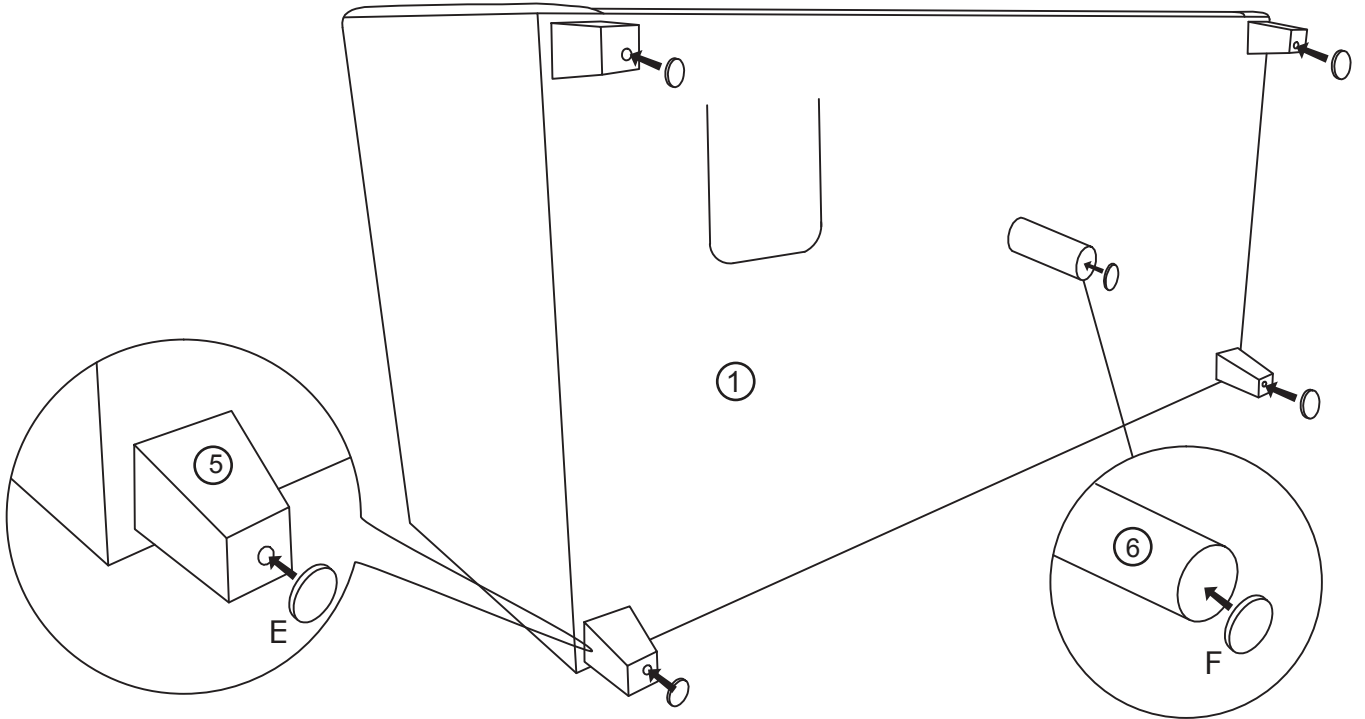


# 2

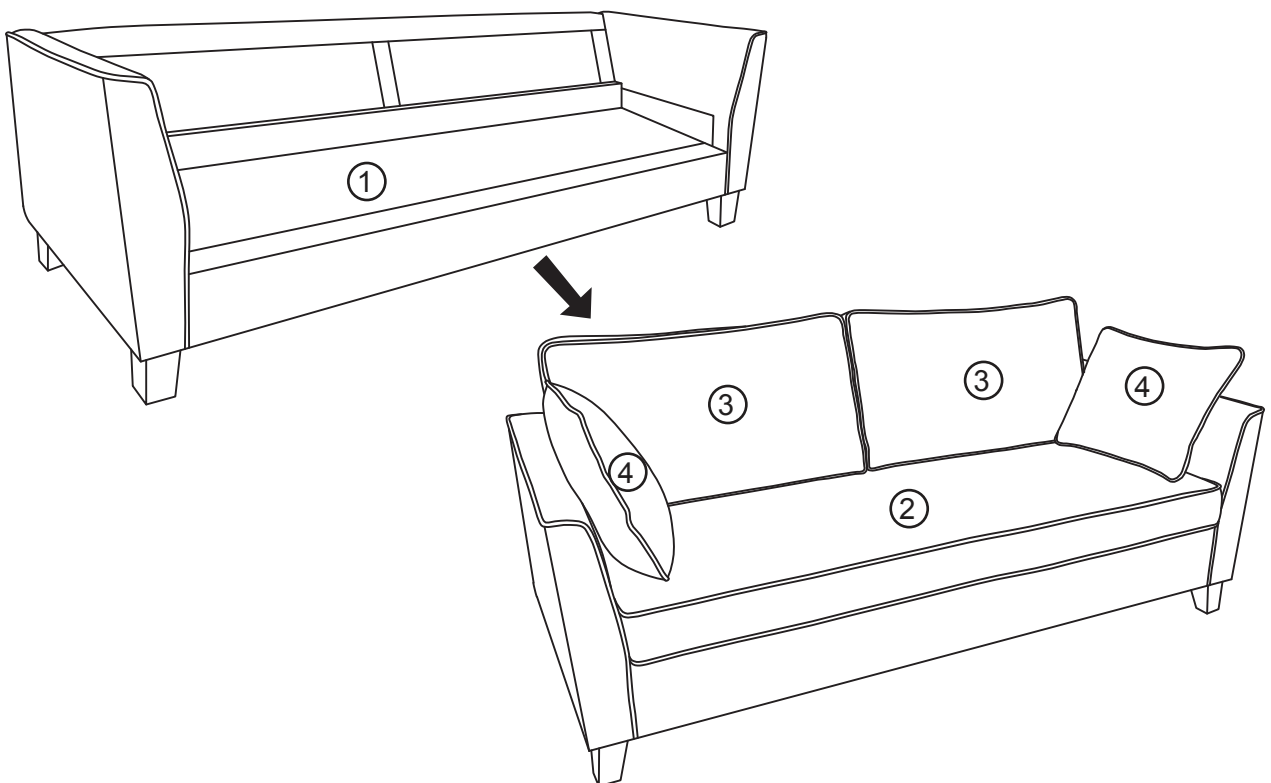
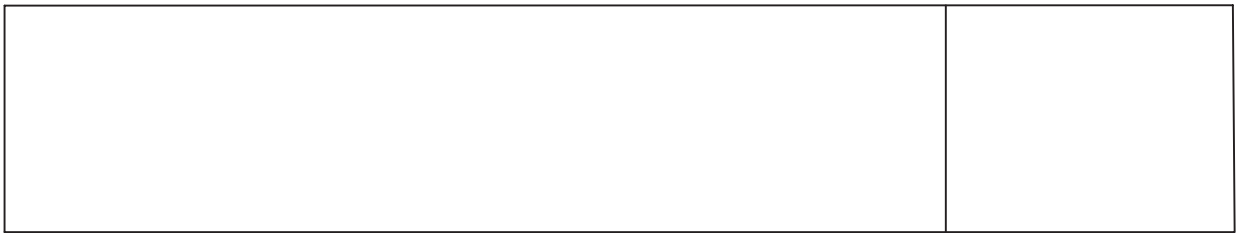


# 3

Ex4  Φ38x2mm	Fx1  Φ28x3mm
---	---



# 4



5

